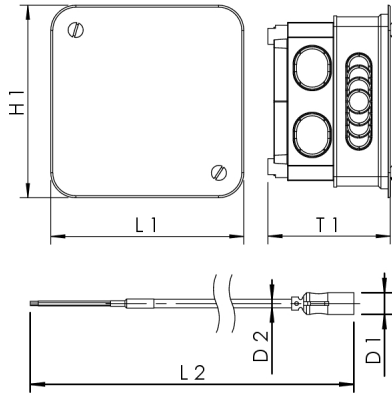




Product Features

- for connecting KHS HS2® hygienic flushing box to the KHS Mini Control System
- for flush-mounted installation
- 5 m connection cable



part no.	D1 (mm)	D2 (mm)	H1 (mm)	L1 (mm)	L2 (mm)	T1 (mm)	kg
6890600200	10,8	4,2	96	96	5000	61	0,316