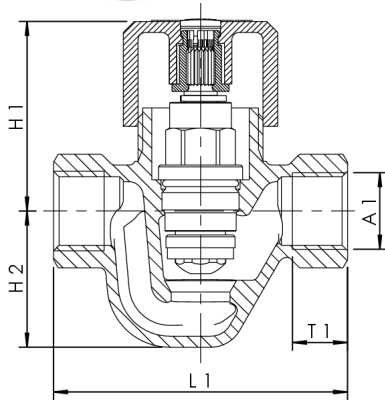


**Product Features**

- wetted metal parts made from dezincification-free and corrosion-resistant gunmetal, resistant against aggressive water
- installation, e.g. in access flaps or for flush mounted installation
- maintenance-free EPDM spindle seal
- EPDM-seat gasket
- stainless steel cone
- female pipe thread
- handle with blue or red dot for identification
- free from dead spots

**Standards and Approvals**

- DVGW approval
- plastic parts with KTW and W 270 approval
- according to accepted materials list from German environmental agency
- according to soundproofing regulations
- ÜA-Reg.-Nr. R-15.2.3-21-17048, WIEN-ZERT



**Technical Data**

- pressure rating PN 16
- max. operating temperature 100 °C

part no.	DN	A1	H1 (mm)	H2 (mm)	L1 (mm)	T1 (mm)	Zeta	cv (m <sup>3</sup> /h)	kg
5603101500	15	Rp 1/2	52	37	80	15	2,7	5,4	0,46
5603102000	20	Rp 3/4	54	35	90	16,3	6,9	6	0,514

**accessory**

insulation shell for UP-PLUS and ETA-THERM valves, figure 471 14