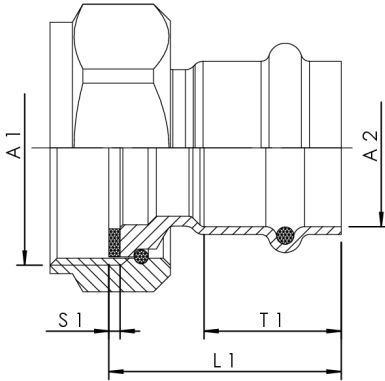




Product Features

- wetted parts made of stainless steel
- with coupling nut for flat sealing connection thread including EPDM gasket
- press connection Viega SANPRESS INOX
- Screw connection made of brass, nickel plated
- according to accepted materials list from German environmental agency
- DIN EN 1213
- ÜA-Reg.-Nr. R-15.2.3-21-17049, WIEN-ZERT



part no.	DN	A1	A2 (mm)	L1 (mm)	S1 (mm)	T1 (mm)	kg
4767001500	15	G 3/4	15	34	2	21	0,06
4767001800	15	G 3/4	18	35	2	21,5	0,066
4767002000	20	G 1	22	39	2	24	0,096
4767002500	25	G 1 1/4	28	42	2	24,5	0,15
4767003200	32	G 1 1/2	35	44	2	22,5	0,185
4767004000	40	G 1 3/4	42	58	2	31	0,295
4767005000	50	G 2 3/8	54	64	2	39	0,521